

Relief Valves

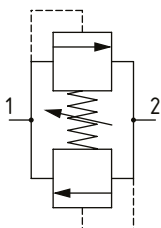
1CLLR100

Relief Valve, Differential Area, Poppet Type, Bi-directional
350 bar [5000 psi] • 150 l/min [40 US gpm]

DESCRIPTION AND OPERATION

This is a bi-directional relief valve that relieves from port 1 to 2 and from port 2 to 1. It is ideal as a cross port relief valve protection for motor applications.

SCHEMATIC

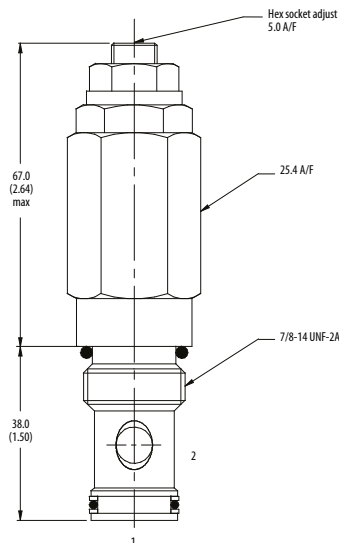


PERFORMANCE DATA

Rated pressure	350 bar [5000 psi]
Rated flow	150 l/min [40 US gpm]
Leakage	5 ml/min nominal
Weight	0.23 kg [0.5 lb]
Cavity	A878

DIMENSIONS

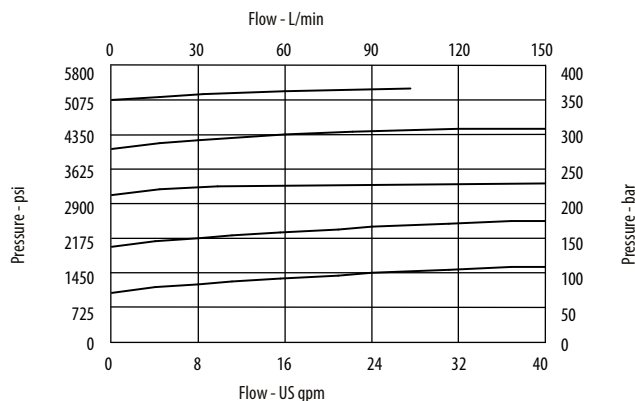
mm [in]



Installation torque
 60 Nm [44 ft. lbs]

PERFORMANCE CURVES

Pressure Override



MODEL CODE

1CLLR100 - F - 6W - 35 - S - 377 - 210

Basic code

- 1CLLR100 - No Housing
- 1CLLR150 - Cartridge and housing
- 1CLLR155 - Cartridge and housing (through ported)

Adjustment Option

F - External

Housing

Code	Ports	Housing Model Code			
		Aluminum 1CLLR150	Steel 1CLLR150	Aluminum 1CLLR155	Steel 1CLLR155
Omit	No Housing				
6W	3/4" BSP	B1067	B5614	B2216	B7147
8W	1" BSP	B1069	B542		
12T	3/4" SAE	B4409		B10623	
16T	1" SAE	B10827	B11801		

* Aluminum bodies are to be used for pressures less than 210 bar [3000 psi].

* Additional housings available

Pressure Setting

Code-Pressure setting in bar (5 bar increments within specified Pressure Range)
XXX-Standard setting (see Pressure Range for value)
 Example:

Code	Bar	Psi
210	210	[3000]

Housing Material

Omit - Aluminum/No housing
377 - Steel

Seal Option

Code	Seal Kit
S -Nitrile	SK614
SV -Viton	SK614V

Pressure Range

Code	Bar	Psi
20	50-210	725-3000
Standard Setting	140	[2030]
35	114-350	[1650-5000]
Standard Setting	280	[4060]

Pressure setting made at 14 l/min